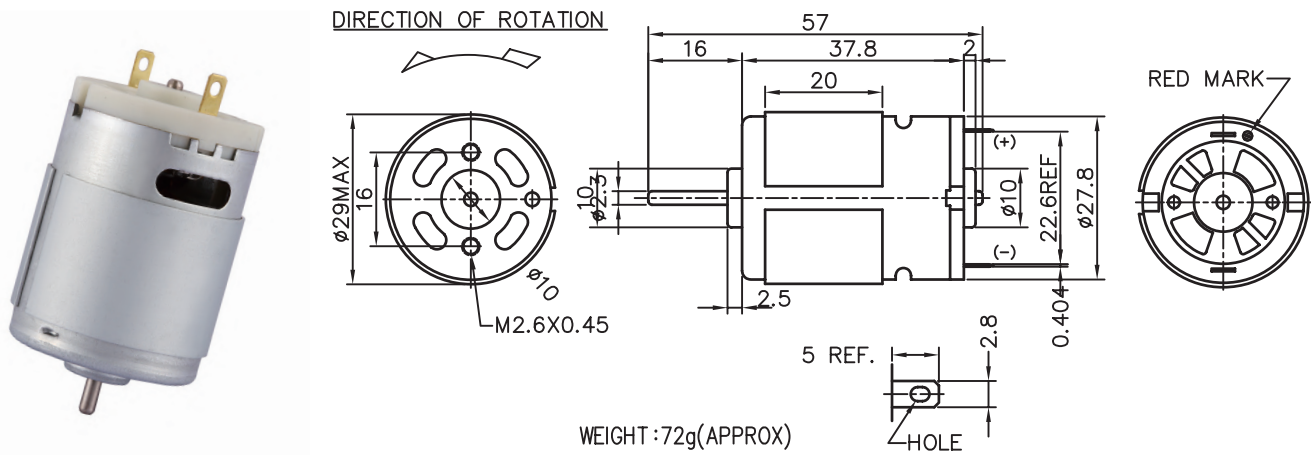


Application : Hair Dryer 、 Vacuum Cleaner

用途：吹風機、吸塵器



| MODEL | VOLTAGE | | NO LOAD | | AT MAXIMUM EFFICIENCY | | | | | STALL | | | |
|--------------|-----------------|----------------|-----------|-----------|-----------------------|-----------|-------------|-------------|-------|-----------|-------------|-----|-------|
| | OPERATING RANGE | NOMNAL | SPEED rpm | CURRENT A | SPEED rpm | CURRENT A | TORQUE g-cm | OUTPUT mN-m | EFF % | CURRENT A | TORQUE g-cm | | |
| LS5N-2445-R | 6.0 - 12.0 | 12.0V CONSTANT | 15200 | 0.33 | 12600 | 1.63 | 90 | 8.82 | 11.75 | 60 | 8.09 | 539 | 52.84 |
| LS5N-14145-R | 12.0 - 24.0 | 24.0V CONSTANT | 8800 | 0.09 | 7500 | 0.32 | 65 | 6.37 | 5.06 | 70 | 1.85 | 471 | 46.18 |
| LS5N-2073-R | 6.0 - 18.0 | 12.0V CONSTANT | 9000 | 0.26 | 7870 | 0.69 | 69 | 6.76 | 5.58 | 71 | 4.02 | 487 | 47.70 |
| LP5N-2268-R | 6.0 - 18.0 | 12.0V CONSTANT | 8600 | 0.14 | 7100 | 0.89 | 93 | 9.11 | 6.87 | 65 | 4.41 | 560 | 54.90 |

馬達的出軸長度及性能參數，EMC 對策可依客人要求做調整，詳情可詢問相關業務人員。
Please inquire your sales representative for output, performance and EMC solution.

